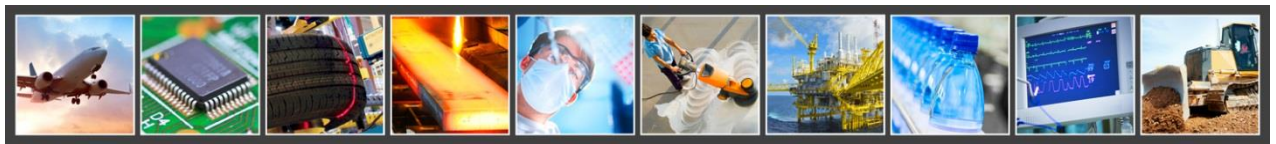




SMPx Series RF Connectors

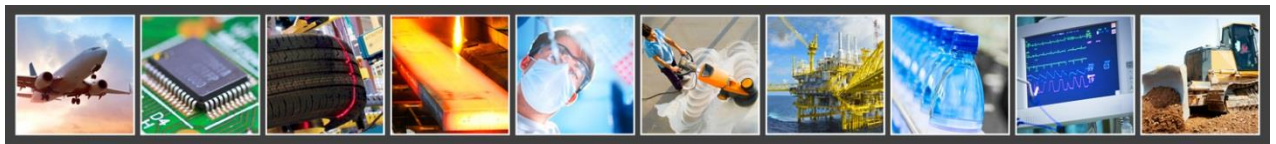
AMETEK ECP
September 2016



Hermetic SMPx Coaxial Push-on Connectors

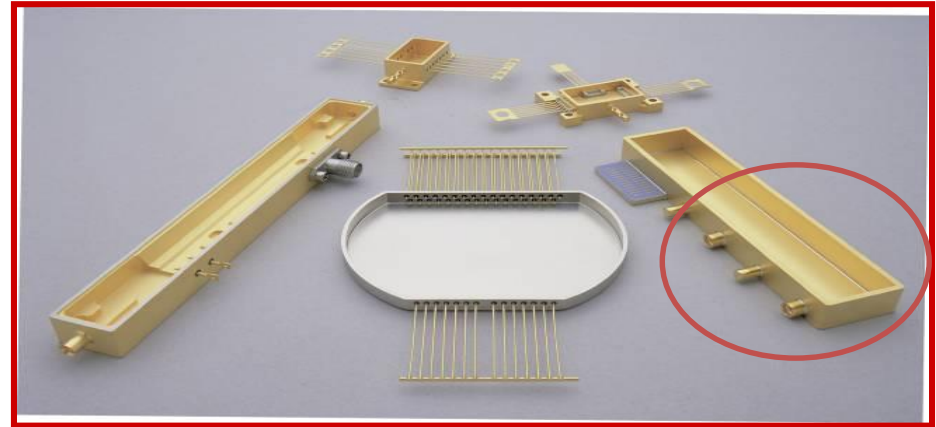
- Higher density vs. traditional SMA
- Radial & Axial Misalignment Tolerant
- Customizable
 - Body Length
 - Pin Extension & termination
 - Multiport Configurations
- Smooth bore & full detent types available
- SMP, SMPM & SMPS variants

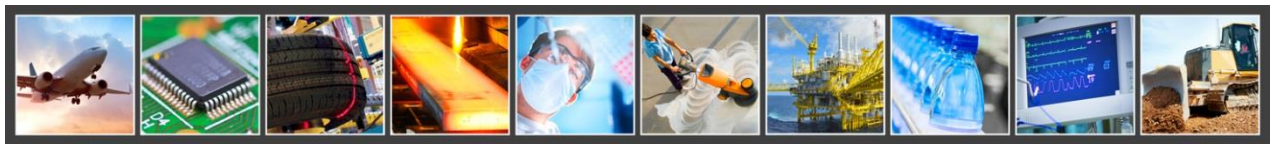




Hermetic SMPx Coaxial Push-on Connectors

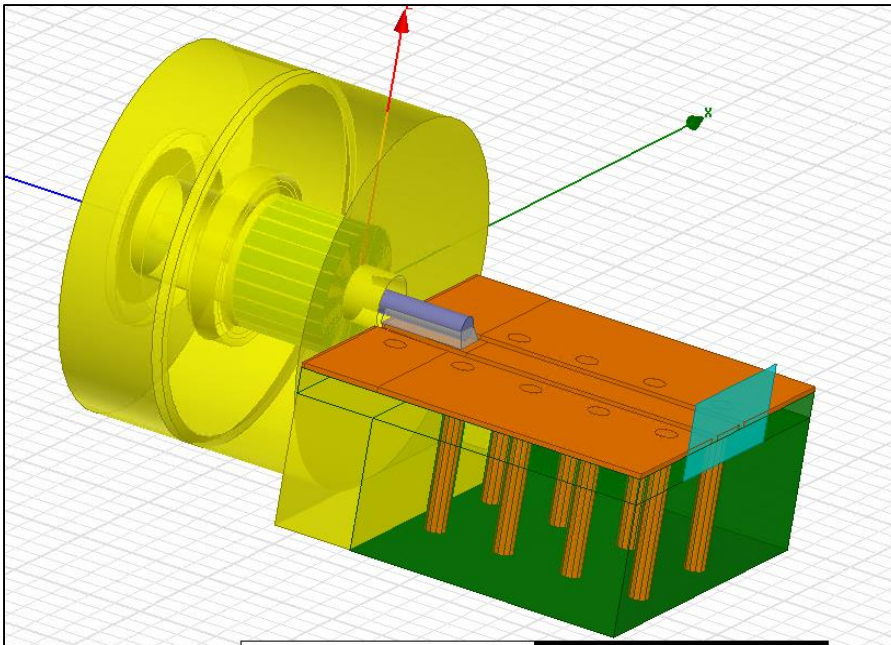
- **SMP**
 - “Sub-miniature” – 0.165” OD
 - Max frequency 26.5GHz
 - GPO interface compatible
- **SMPM**
 - “Sub-miniature, micro” – 0.130” OD
 - Max frequency 40GHz
 - GPPO interface compatible
- **SMPS**
 - “Sub-miniature, Sub-micro” – 0.105” OD
 - Max frequency 65GHz
 - G3PO interface compatible





Hermetic SMPx Coaxial Push-on Connectors

3D EM Models



Evaluation Boards (EVB)

